

Battle of Waterloo**Table of contents**

# 200-GP-1	General Plan	P-1
		P-2
# 201-I-1	Painting & Finishing	P-1
# 202-StB-1	StableBlock-Conversion	P-1
# 203-StB	Construction of Stable Block	P-1
		P-2
# 204-StB	Plan and cutting Angle Stable Block	P-1
# 205-L-1	Lean to	P-1
# 206-MG-1	Main Gate	P-1
		P-2
# 207-PSH	Pigsty & Swill House	P-1
		P-2
# 208-B-1	Barn	P-1
# 209-B-1	The Barn General plan	P-1
# 209-B-1	The Barn Section "A"	P-2
# 209-B-1	The Barn Section "B"	P-3
# 209-B-1	The Barn Section "C"	P-4
# 209-B-1	Section "D" was not made because self explanatory	----
# 209-B-1	The Barn Section "E"	P-5
# 210-FSB	Farmhouse Stable Block	P-1
# 210-FBS	Farmhouse Where the parts go	P-2

Linka Special

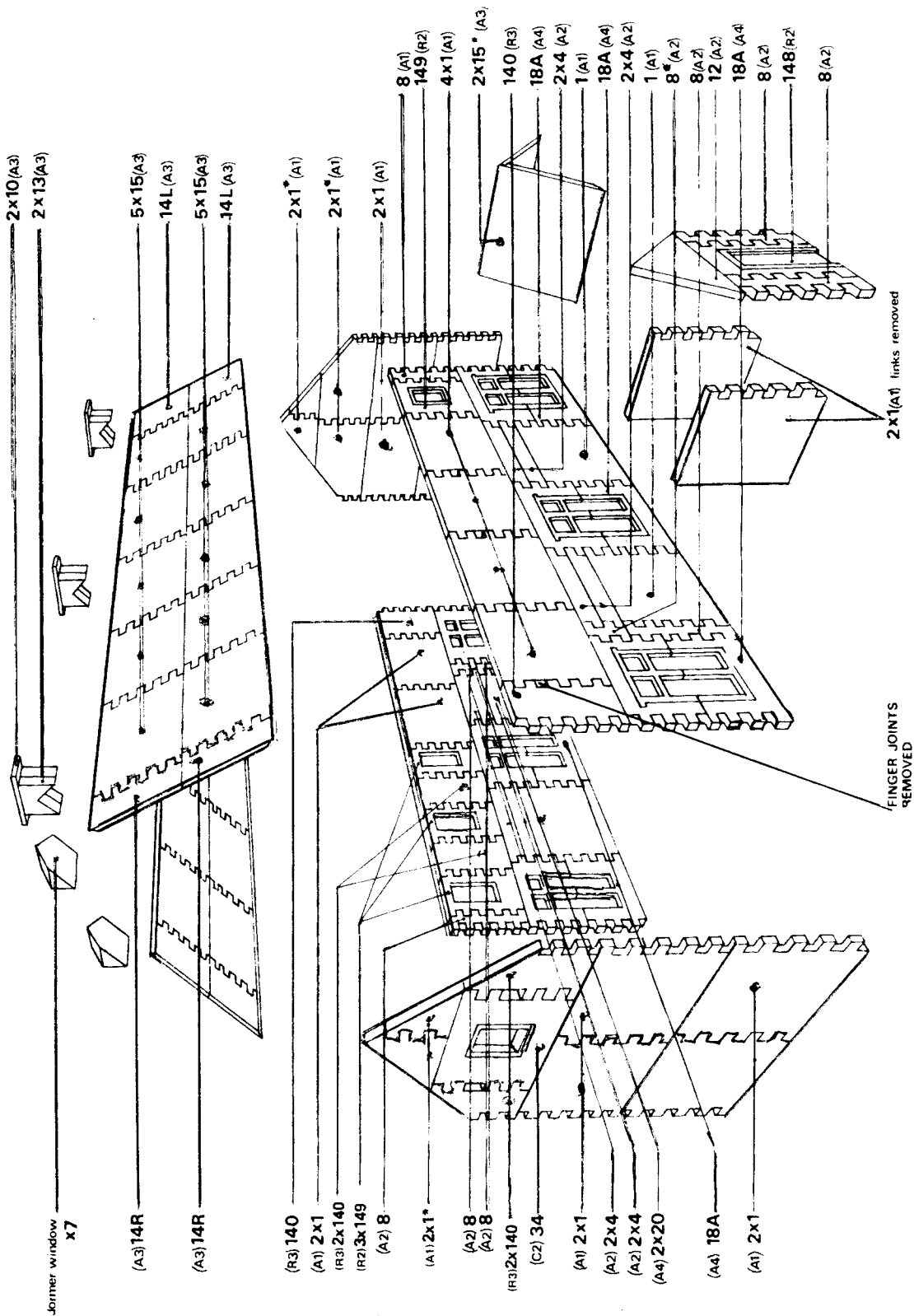
Battle of Waterloo FSB-1 P-1

Farmhouse Stable Block

* Dormer windows can be made with a piece of wood.
A plastic moulds exist but not available presently

Farm House FSB-1 Waterloo

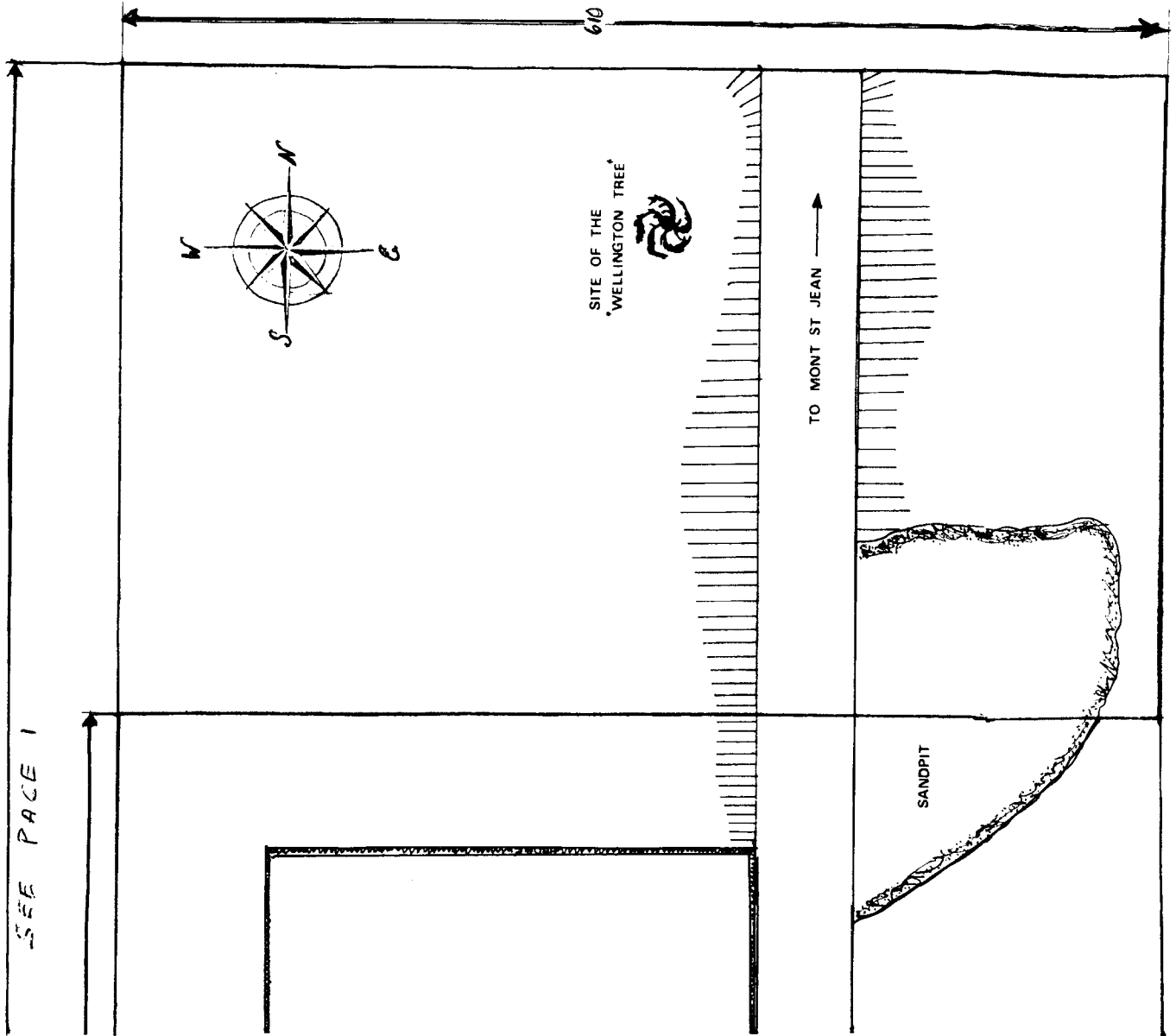
Castings No	1	4	8	12	18	20	148	149	140	34	15	14R	14L	10	13	N/A
Qty Required	24	8	8	1	12	2	1	4	6	1	22	4	4	6	6	7
OLD Moulds #	A1	A2	A2	A4	A4	A4	R2	R2	R3	S4	A3	A3	A3	A3	A3	N/A
2006	B1	B6	B6	B6	B2	B2	S2	S2	B5	S4	R1	R1	R1	R1	R1	*



LINKA SPECIAL

Battle of Waterloo #200- GP-1 P-2

Plan of the la Haye Sainte



INSTRUCTIONS.

In this plan we have set out to create a copy of the farmhouse at La Haye Sainte. To make the individual buildings to the correct size it has been necessary to use both brickwork and stonework castings. This however does not matter as all walls will eventually be coated with Linkalite compound.

The Farmyard is made up from six individual buildings (farmhouse, stables, barn, main gate, pigsty & swill house and a Lean-to shed). These are arranged as shown on the plan.

To make construction easier it is suggested that a heavy baseboard either 1020mm x 610mm x 6mm or 900mm x 610mm x 6mm is used. Draw the full size plan onto your baseboard and build the bottom course of each building. Check that all components are properly located by using the plan. You may find that glueing the bottom course of the buildings to the baseboard makes construction easier. Carry on with the other courses until the shells are completed without roofs.

At this stage all outer walls should be coated with Linkalite compound. Adding one or two drops of vinegar to the mixing water will increase the setting time. When dry, the wall and any visible interiors should be painted. Glue acetate windows into place. Triangular castings can be glued inside at the corners for extra strength.

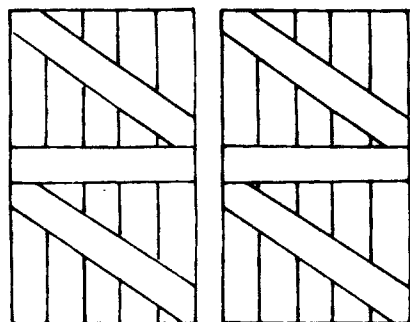
The roofs can now be constructed, glued into place and painted.

PAINTING AND FINISHING

All walls coated with Linkalite should be painted to simulate whitewash.

The roofs (except pantiles) should be painted a slate grey colour. The pantiles should be painted brick red.

The cobbled courtyard should be made from Linka Cobble Mould (vacuum formed) which is available as an accessory (No. 8129).



Make Gates to size for each gateway and doorway requiring them.

STABLE BLOCK

Stable Block #202-1

Castings No	1	3	4	5	6	8	139	140	142	158	39	15	15A
Qty Required	28	22	2	1	3	11	1	11	1	6	22	32	31
OLD Moulds #	A1	A2	A2	A2	A2	A2	R3	R3	R3	R4	C4	A3	A3
2006	B1	B6	B6	B6	B6	B6	B5	B5	B5	B4	S5	R1	R1

Where the parts go

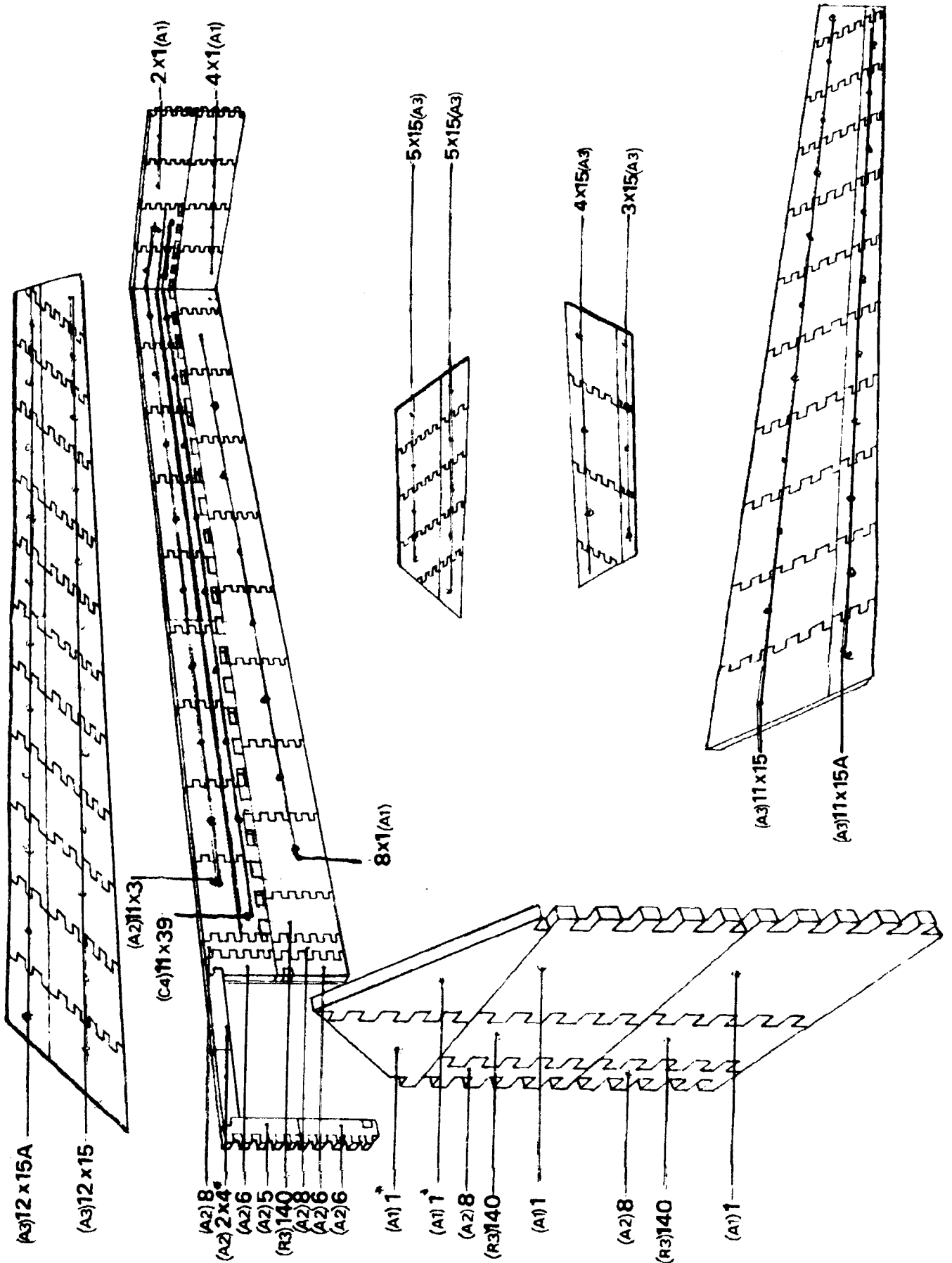
(ITEMS MARKED THUS * ARE TO BE CUT OR SHAPED)

1. Construct the first course as shown and glue onto baseboard.
2. The second course is constructed from castellation pieces glued into place upside-down. Use castellation pieces cut from other castings to fill in every other gap.
3. Construct the third course and gable ends.
4. The roof is L-shaped and special care must be taken in cutting the angles (see diagram). Chamfer the joining edges at 45° to ensure a good joint along the top edge.
5. The roof fits flush onto the gable ends and overhangs the inside walls.
6. Gates can be made from balsa wood and glued into the square opening.

LINKA SPECIAL

Battle of Waterloo #203-StB p-1

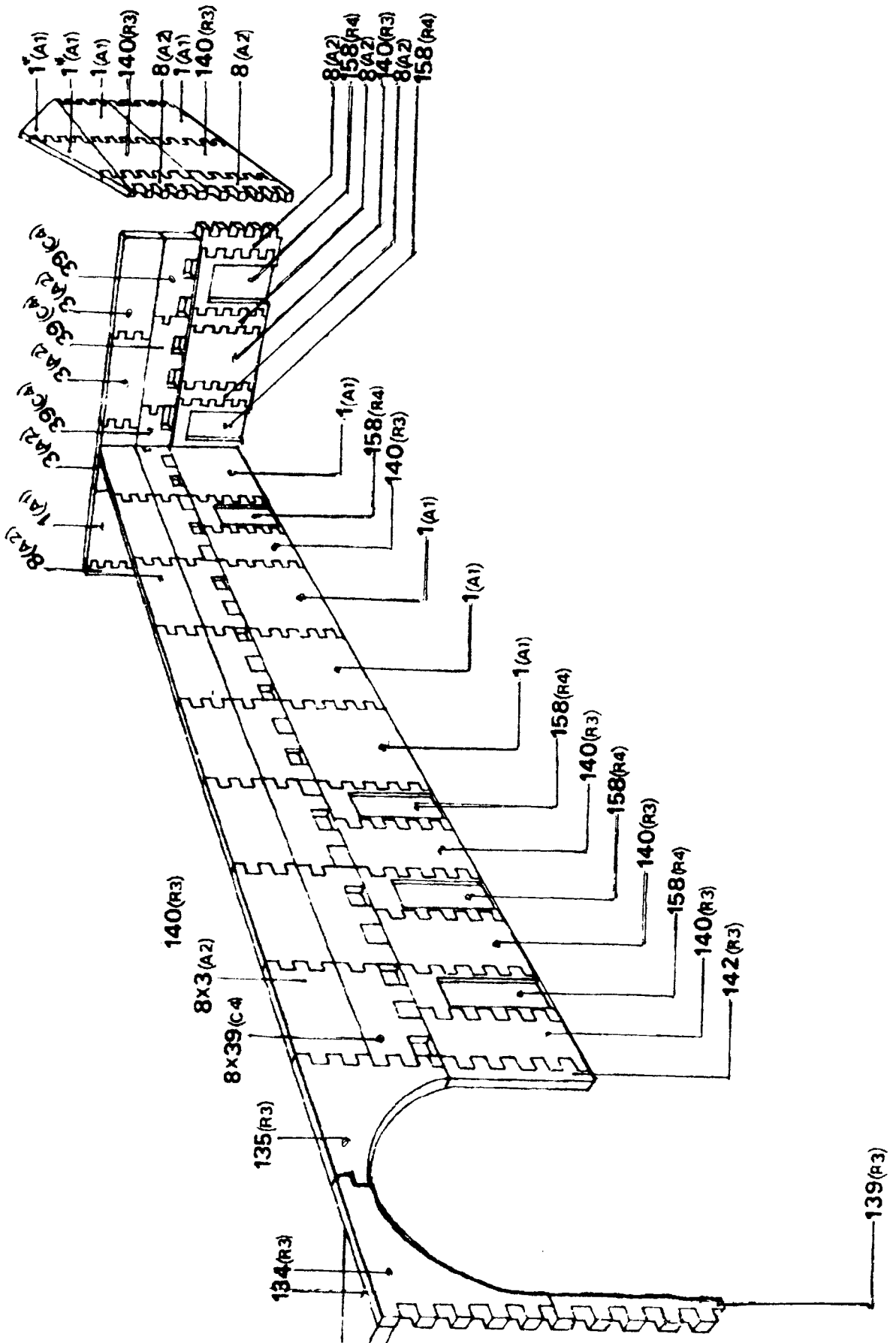
Construction of the Stable Block



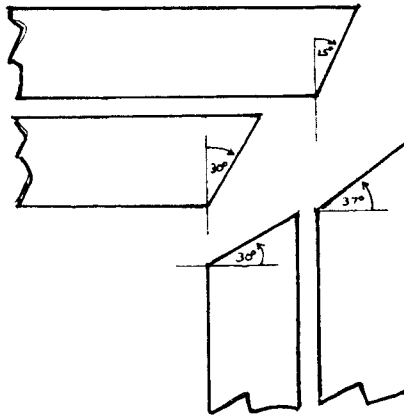
LINKA SPECIAL

Battle of Waterloo #203-StB p-2

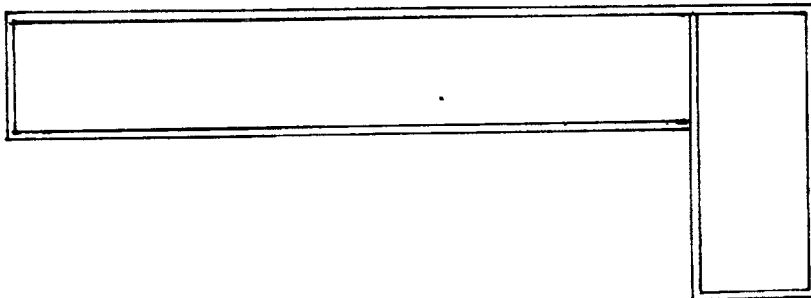
Construction of the Stable Block



CUTTING ANGLES FOR STABLE ROOF



PLAN OF STABLE BLOCK



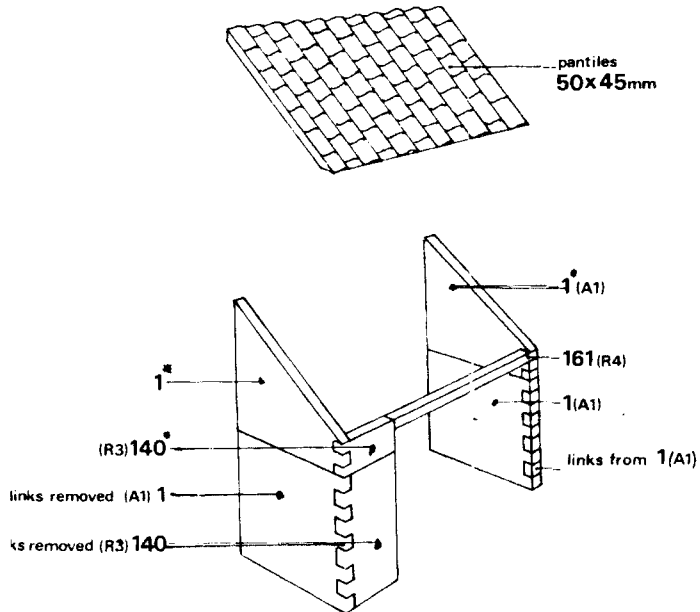
LEAN TO

Lean To #205-L-1

Castings No	1	140	161	Pantile
Qty Required	4	2	1	Roofing
OLD Moulds #	A1	R3	R4	50x45mm
2006	B1	B5	B4	Use moulds R2

Where the parts go

ITEMS MARKED THUS * ARE TO BE CUT OR SHAPED



1. Construct this simple building and glue into position.
2. Cut roof to size from pantile casting (see castings grid).

This small building location is on the general Plan page #200 GP-1 p-1

MAIN GATE

Main Gate #206

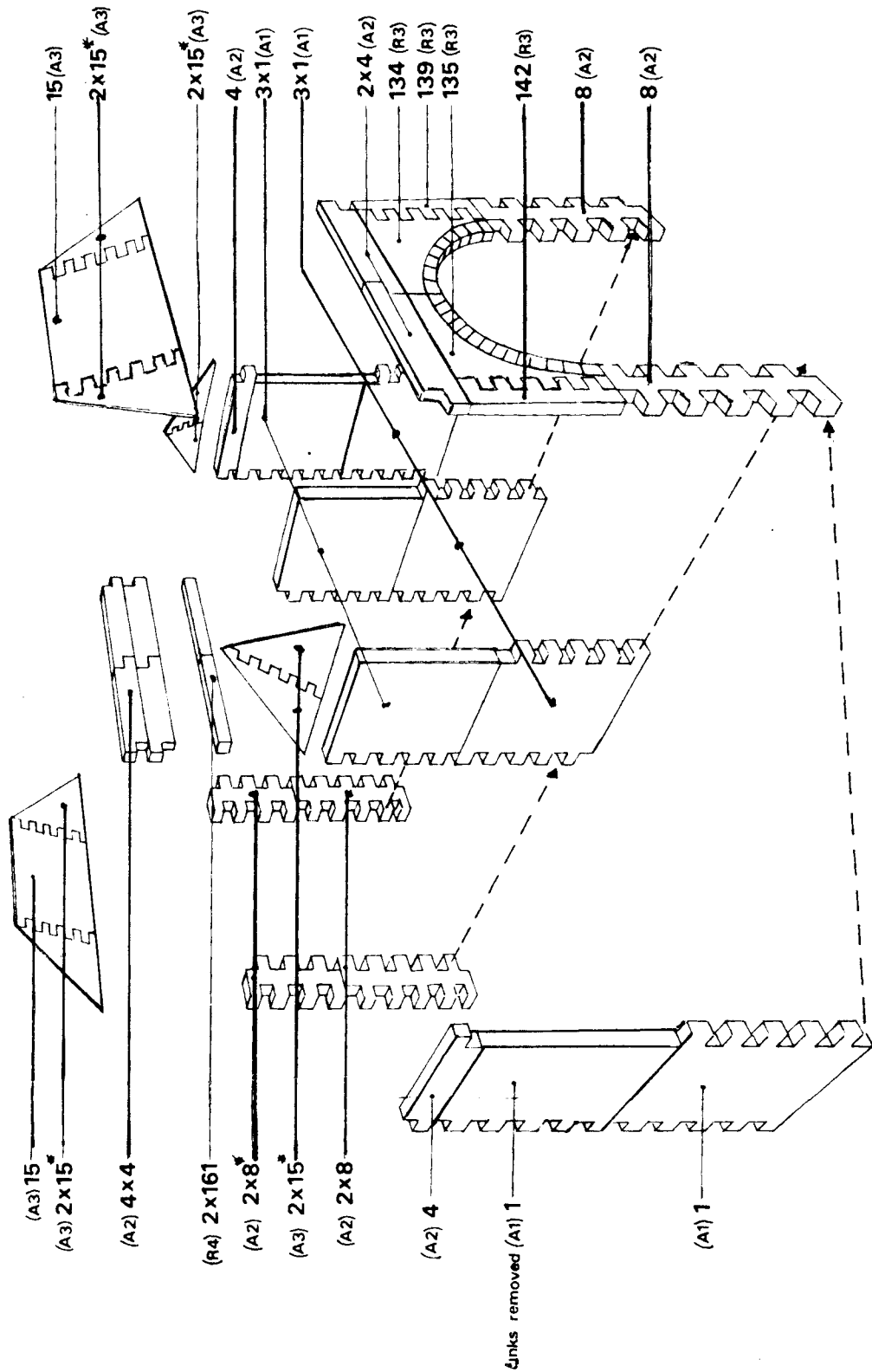
Castings No	1	4	8	134	135	139	142	161	15
Qty Required	8	8	6	1	1	1	1	2	10
OLD Moulds #	A1	A2	A2	R3	R3	R3	R3	R4	A3
2006	B1	B6	B6	B5	B5	B5	B5	B4	R1

Where the parts go

ITEMS MARKED THUS * ARE TO BE CUT
OR SHAPED

1. Make up the first course and glue into position on the baseboard.
2. Make up second course.
3. Chamfer the edges of the roof to 45° to ensure a good fit.
4. After coating with Linkalite, wooden gates can be made and glued to the square opening.

Main Gate



PIGSTY & SWILL HOUSE

Pigsty & Swill House #207-1

Castings No	1	3	8	39	140	158	Pantile
Qty Required	16	13	5	3	1	4	130x40mm
OLD Moulds #	A1	A2	A2	C4	R3	R4	67x55mm
2006	B1	B6	B6	S5	B5	B4	Use moulds R2

Where the parts go

ITEMS MARKED THUS * ARE TO BE CUT
OR SHAPED

1. Construct the first two courses of the rear wall.
2. Fill in the left hand end with finger joints from another casting.
3. Construct front and sides of the building.
4. Glue the pigsty (longer building) flush with the right hand end of the wall.

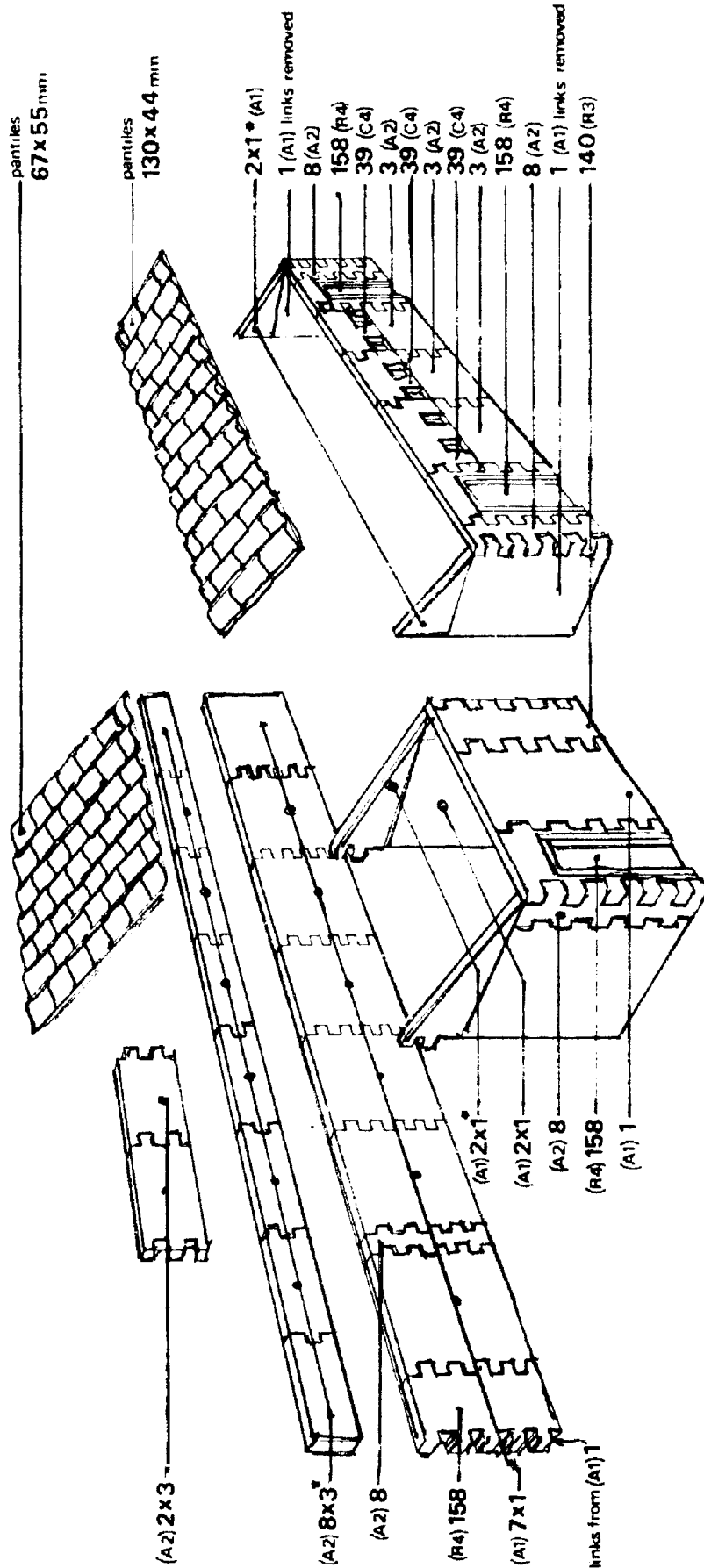
080/123E - 2

5. Glue the swill house (shorter building) to the side of the pigsty and to rear wall.
6. Glue third course of rear wall to back of the swill house.
7. Glue into place on the baseboard.
8. Take a casting from the pantile mould and cut roofs to size (see castings grid).

LINKA SPECIAL

Battle of Waterloo #207-PSH-1 p-2

Pigsty & Swill House



Barn #208

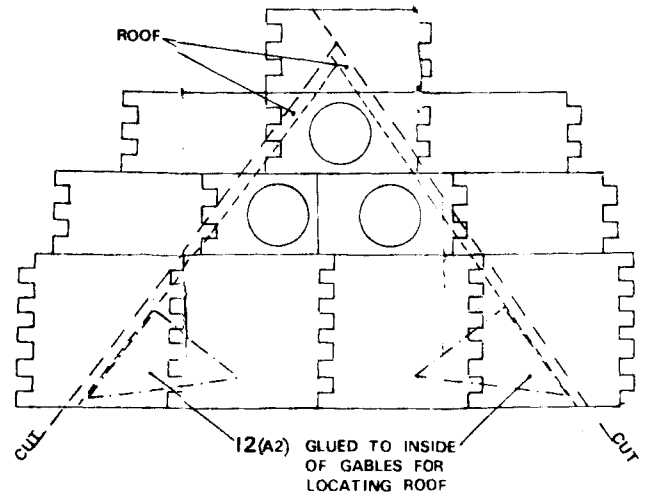
Casting NO	1	3	4	5	6	8	140	158	159	161	39	15	14R	14L
Qty Required	45	3	12	4	4	32	1	1	6	1	2	30	6	6
OLD Moulds #	A1	A2	A2	A2	A2	A2	R3	R4	R4	R4	C4	A3	A3	A3
2006	B1	B6	B6	B6	B6	B6	B5	B4	B4	B4	S5	R1	R1	R1

BARN

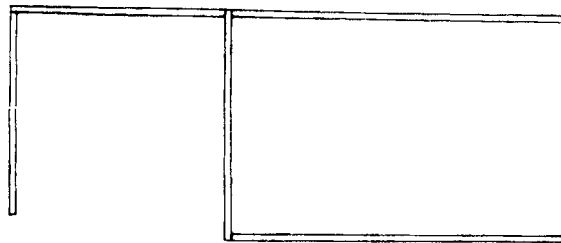
Where the parts go

ITEMS MARKED THUS * ARE TO BE CUT OR SHAPED

METHOD FOR CONSTRUCTING BARN GABLE ENDS



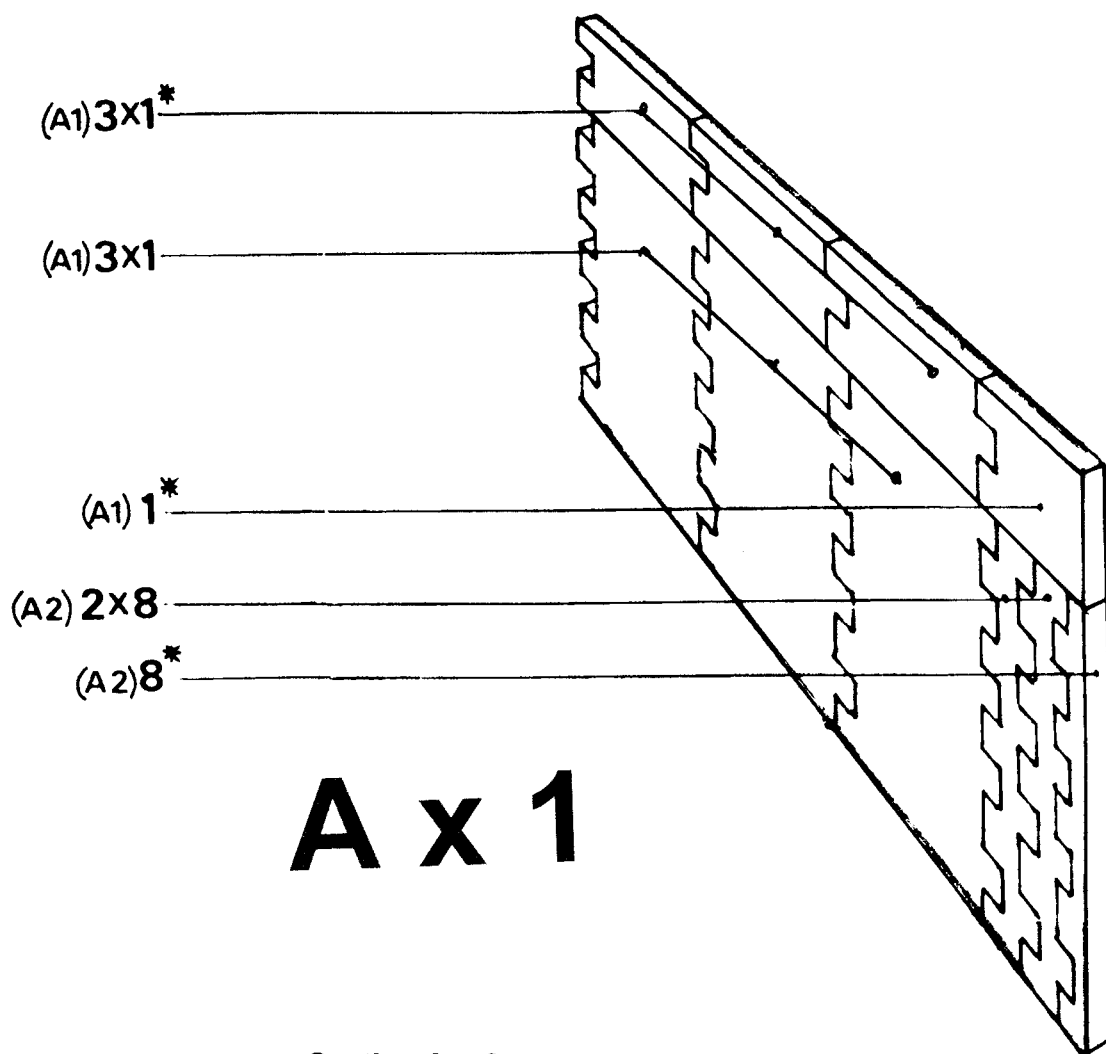
PLAN OF BARN



1. Construct side walls up to first course.
2. Construct both gable ends. Glue together using whole castings and when dry, cut to shape (see diagram).
3. Glue side walls to gable ends, when dry glue to baseboard.
4. Construct and glue into place second course.
Note: panels have one link in height removed and also one finger joint removed.
5. The roof of the barn fits inside the gables instead of resting on and overhanging them. Use four No.12 (A2) castings to help location.
6. Wooden gates can be made for the doorways.

The Barn - Section A

The "General Plan of the Barn" page shows the relative positions of all the major components of the Waterloo barn. However, due to the number of pieces and the level of detail needed to clearly read the instructions, I have placed enlarged views of Sections A, B, C, etc. on the subsequent pages to show the detail more clearly. They should be assembled as shown on these detail pages and then joined to the completed model in the positions as indicated on the "General Plan" page.



Section A p-2

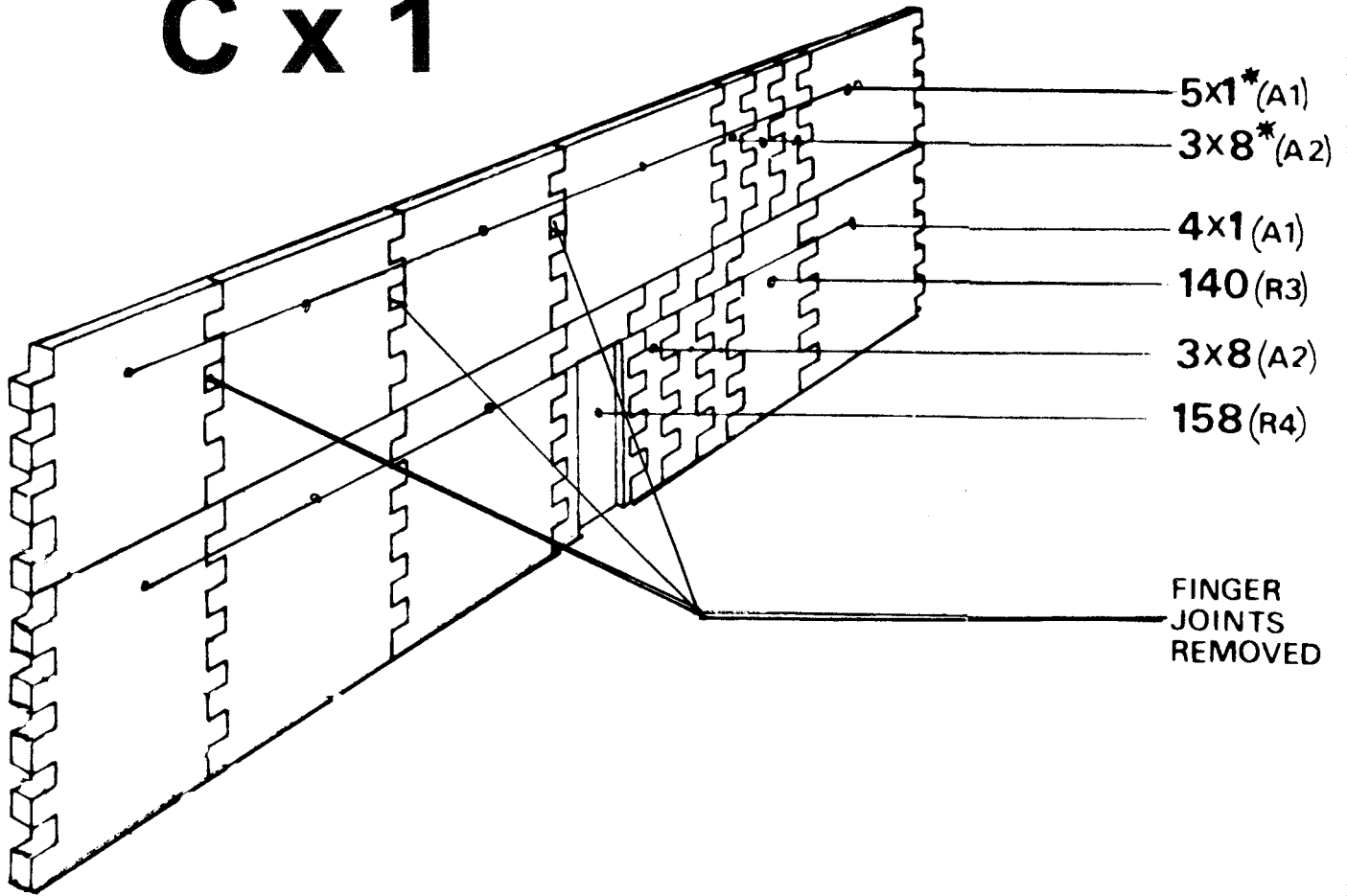
OLD Moulds #	A1	A1*	A2	A2*
Casting NO	1	1	8	8
Qty Required	3	4	2	1
2006	B1	B1	B6	B6

LINKA SPECIAL

Battle of Waterloo #209-B-1 P-4

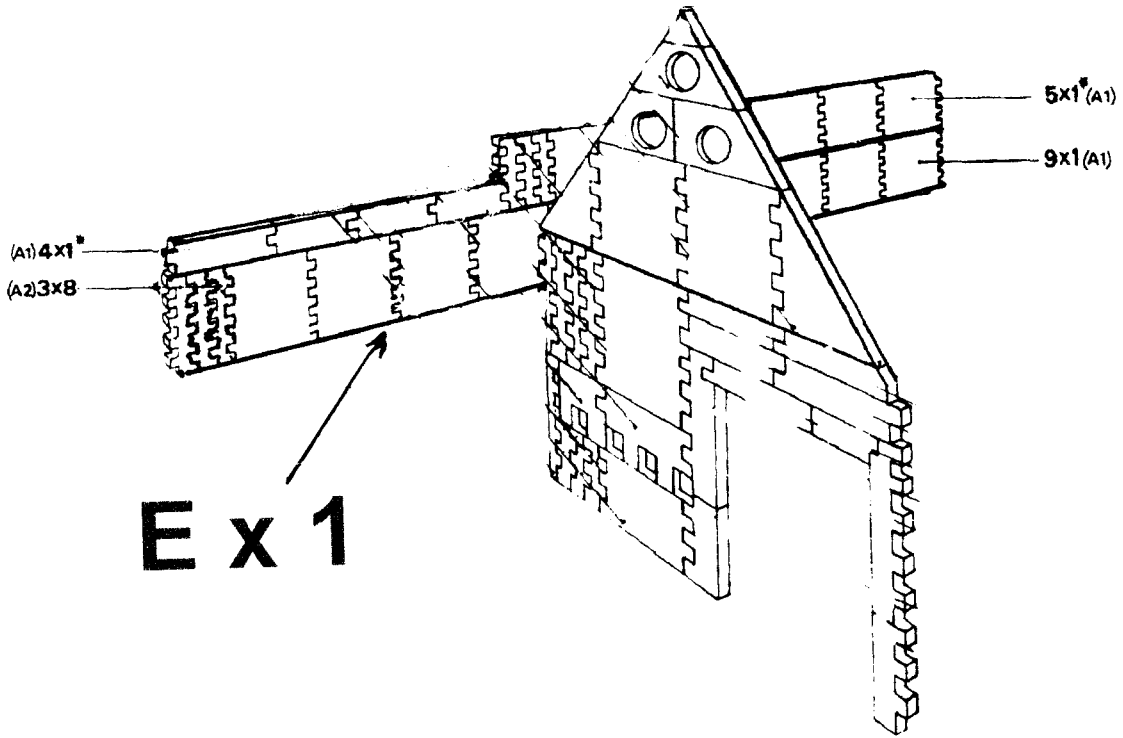
The Barn - Section C

C x 1



#209-B-1 Section A p-2

OLD Moulds #	A1	A1*	A2	A2*
Casting NO	1	1	8	8
Qty Required	3	4	2	1
2006	B1	B1	B6	B6



Ex 1

#209-B-1 Section A p-5

OLD Moulds #	A1	A1*	A2
Casting NO	1	1	8
Qty Required	9	9	3
2006	B1	B1	B6

Linka Special

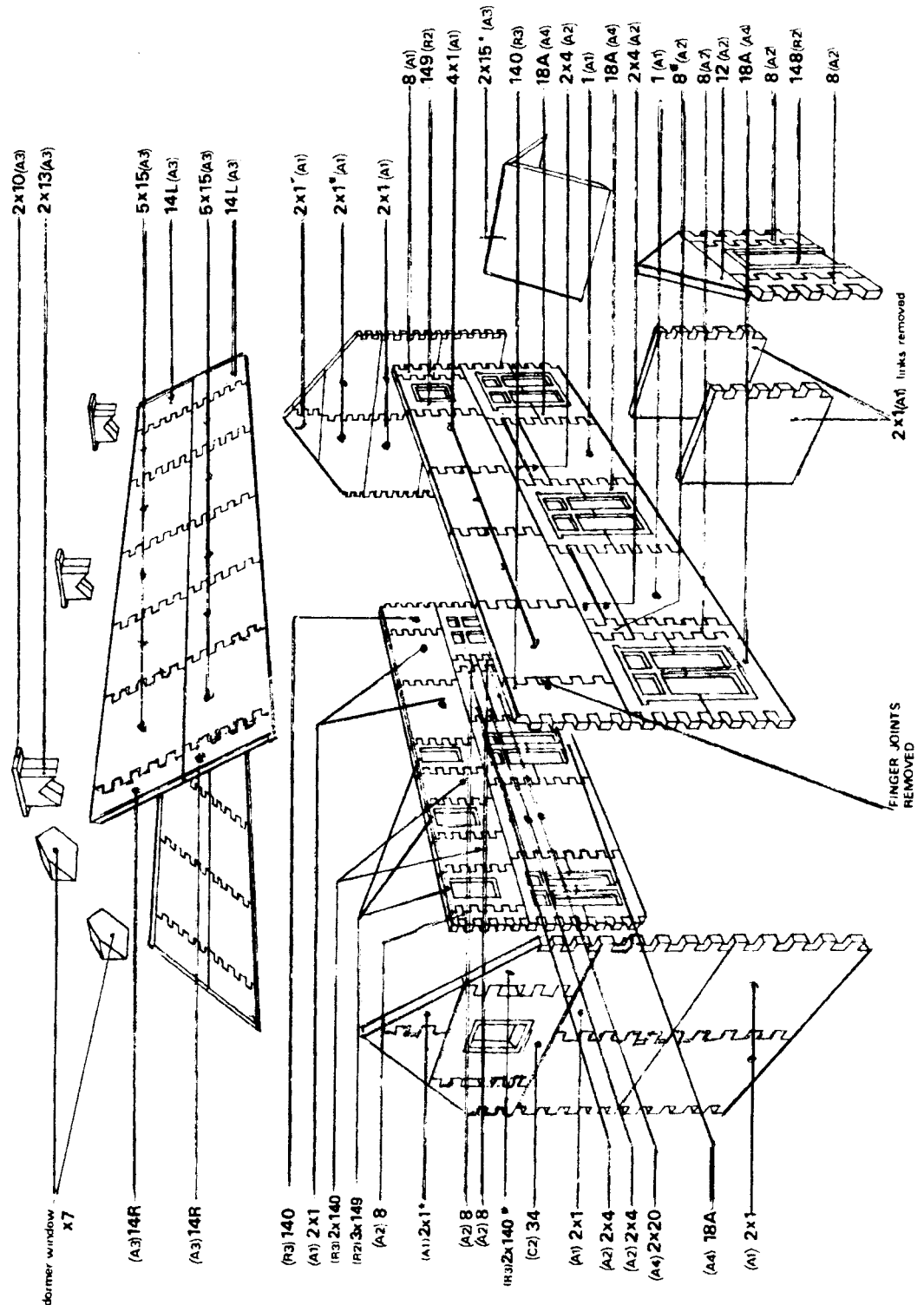
Battle of Waterloo #210-FSB-1 P-1

Farmhouse Stable Block

* Dormer windows can be made with a piece of wood.
A plastic moulds exist but not available presently

FARMHOUSE #210-FSB-1 Battle of Waterloo

Castings No	1	4	8	12	18	20	148	149	140	34	15	14R	14L	10	13	N/A
Qty Required	24	8	8	1	12	2	1	4	6	1	22	4	4	6	6	7
Old Moulds #	A1	A2	A2	A4	A4	A4	R2	R2	R3	S4	A3	A3	A3	A3	A3	N/A
2006	B1	B6	B6	B6	B2	B2	S2	S2	B5	S4	R1	R1	R1	R1	R1	*



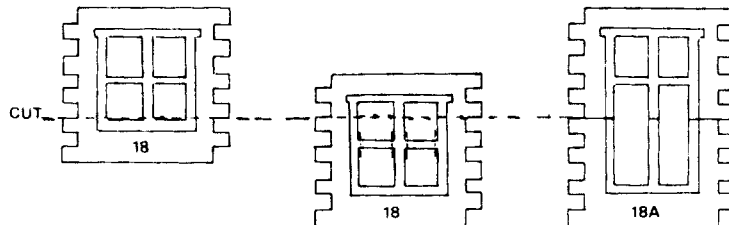
FARMHOUSE

Where the parts go

ITEMS MARKED THUS * ARE TO BE CUT
OR SHAPED

1. First make up six of the large windows (18A) as shown in the diagram.
2. Construct the first course of the building and glue into position on the baseboard.
3. Construct the second course. Note: on the front of the house one finger joint is removed.
4. Roof rests on and overlaps gables and overhangs side walls. Chamfer top and bottom edges to 45°.

METHOD FOR CONSTRUCTING WINDOW 18A



5. Seven dormer windows (4 along bottom edge of roof and 3 above and in between them) are glued onto the inward facing side of the roof.
6. Glue the three chimneys to the top of the roof.