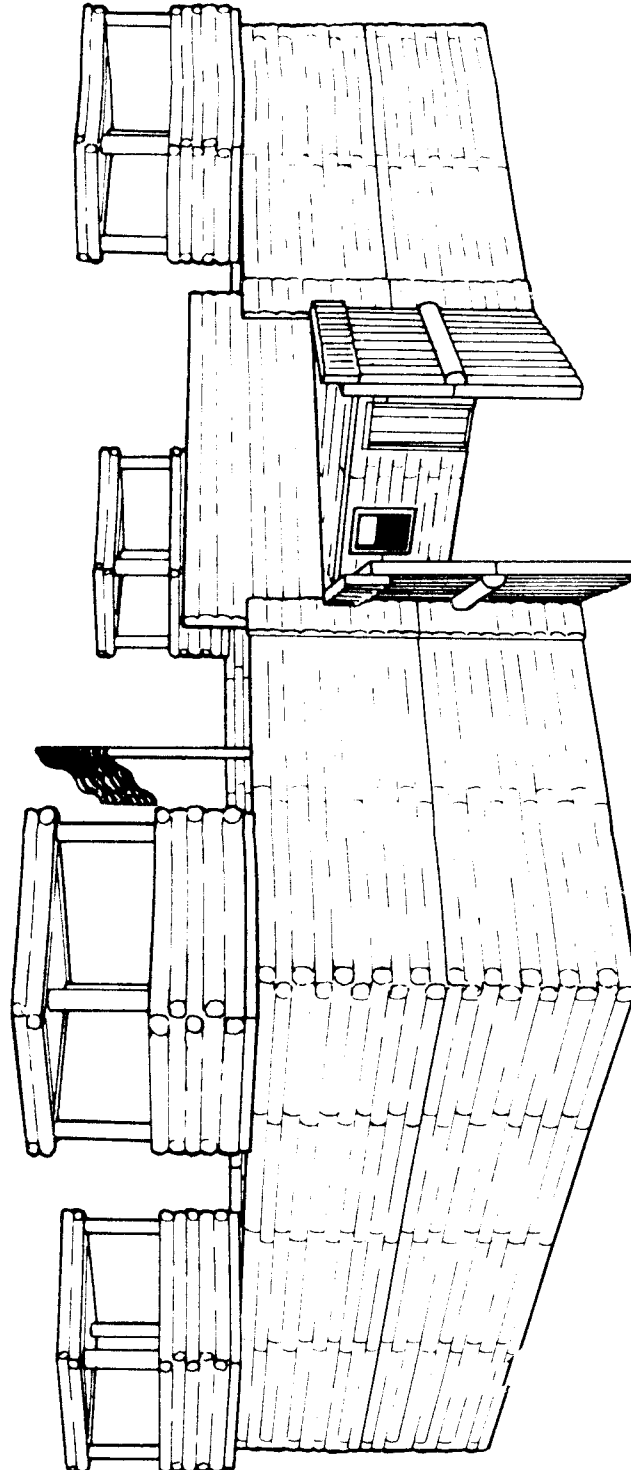


# Linka Plan

English Instructions #171-F-1 p-1

LE FORT

RVDV



# Linka Plan

English Instructions #171-F-1 p-2

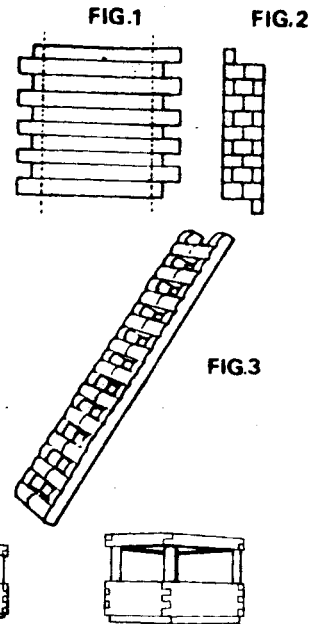
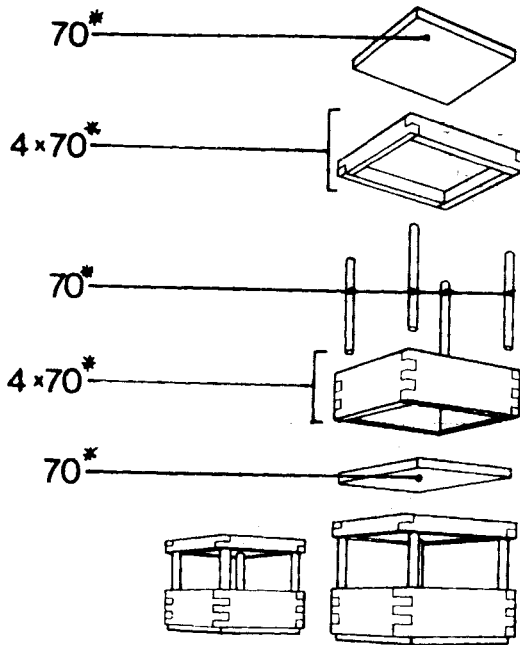
## LE FORT

Le Fort

Castings number	70	74	76	77	85	88	89
Qty Required	74	23	2	4	2	2	24
2006	T3	T3	T3	T3	T2	T2	R2

### Where the parts go

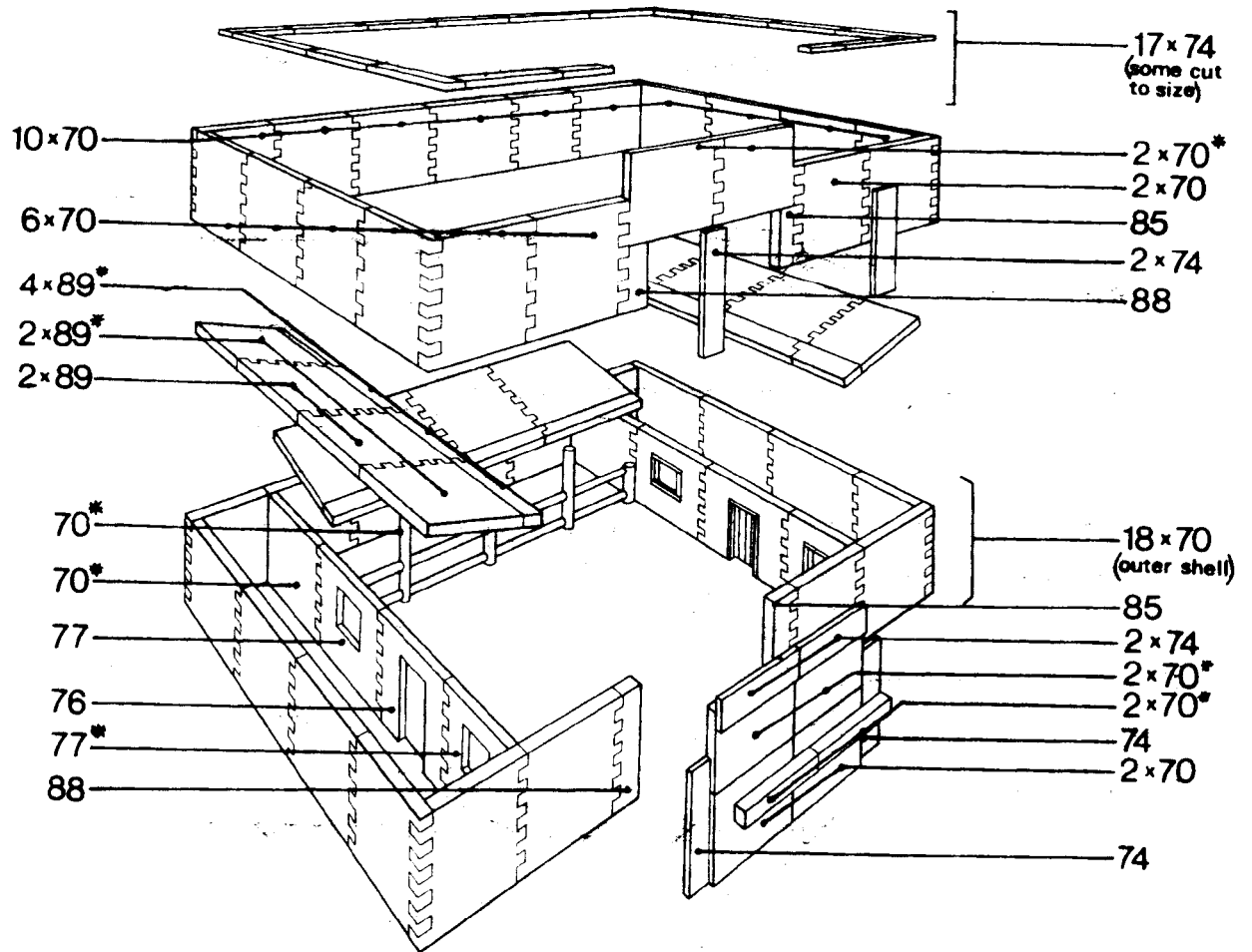
(ITEMS MARKED THUS \* ARE TO BE CUT OR SHAPED)



# Linka Plan

English Instructions #171-F-1 p-3

## LE FORT



## Fort

This small fort is representative of the type which was used in the old west. If required the idea can be used to build one much larger. Construct on a large baseboard or a sub-baseboard the exact size of the fort.

1. Construct the bottom course of the outer wall.
2. Construct the fronts of the inside buildings and glue in place. Note that the linkage is removed from the ends of these panels.
3. Construct the rails of the corral. Note: These are made by cutting single logs from a No. 70 casting and this can easily be done by scoring at the back and snapping off.
4. Construct and glue in place the second course of the outer walls. Note how castings are cut at the gateway.
5. Make up the interior roof panels. Trim to fit inside walls but do not glue in place until you have painted the fronts of the inside accommodation and glued acetate behind the window openings.
6. Construct a walk-way around the inside of the walls. Use No. 74 castings sanded to represent planks and glue in place 20mm below the top edge.
7. Make up the four towers as shown. The uprights are single logs cut from casting No. 70. Glue in place at the four corners.
8. As shown make a main gate which can be glued in place or left loose.
9. No. 70 castings can be used to represent ladders and glued end to end can be made to any length. See Figs. 1, 2 and 3.
10. Paint to represent rough logs and weathered timber. Use a drainpipe as a flagpole and apply signs.